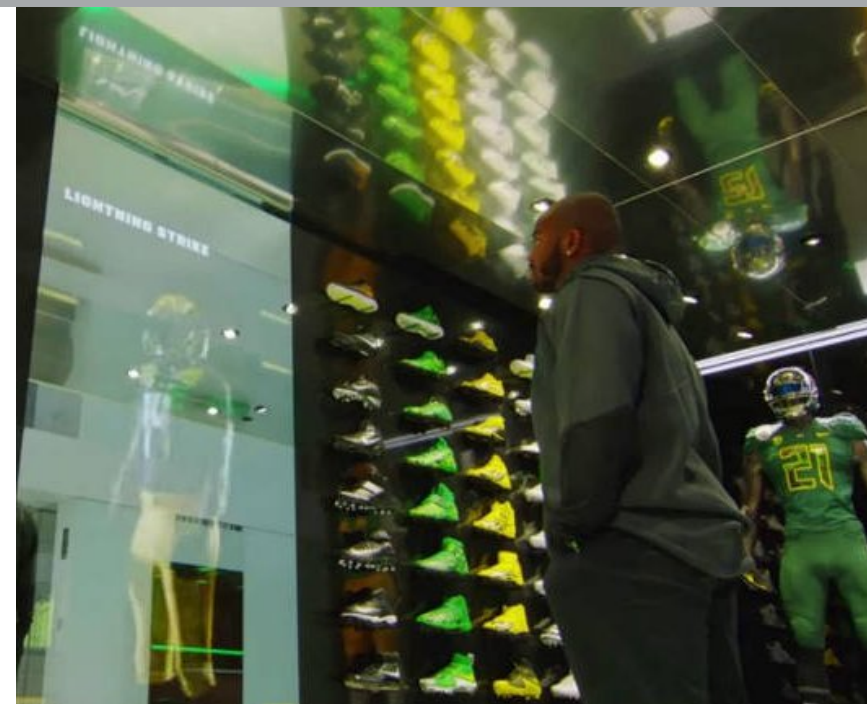




Innovative LED lighting solution for retail merchandising and displays.

Light|Peg



Lightpeg

The LightPeg retail display system is an innovative 12.7mm ultra-thin shelf peg system equipped with energy-efficient LED technology and wall mountable. The aluminum lightpeg is custom manufactured with the highest energy efficient LED light, and powered with extremely safe low voltage 9 V DC power source. The body of LightPeg serves two main functions: first to serve as an aesthetic element to the retail display and second to route the generated heat from the LEDs to the luminaire body.

Active electronic devices on the circuit board guarantee an optimal operation of each LED and to maintain a constant temperature eliminating rapid ageing of the LED due to overheating are giving a guaranteed lifetime of > 50.000 hours. LightPeg has a wide light distribution and comes in white light 3 options Warm (2700K), Natural (4000K) or Cool (5500K).

The rear of the display wall houses access to the power input connectors, these are simple 2.5mm dc power jacks and connect to the pegs directly via the DC power socket input. A single Class II 100 watt power supply is capable of driving 40 pegs. Each Peg consumes 1.35 Watts and DC power input is rated at 9V. In addition all LightPeg models are dimmable with a suitable PWM, DALI or DMX drivers which can be located in the back of the display or mounted remotely in a central location within the store.

The LightPeg unit has been designed to be mounted to a number of different materials including Metal, Wood, Plaster and Glass. The design of LightPeg allows for variable display thicknesses and fits securely using a lockable flange at the rear of the Peg. Lightpeg is capable of taking a 5 kg maximum load and is suitable for hanging various type of merchandise and comes in Dark Black or Pure White colour, with optional custom colour coatings available.



KiboWorks
Custom LED Technology

KiboWorks Custom LED Technology.
9580 Oak Avenue Parkway
Suite 7-211 | Folsom | CA 95630

Tel: (+1) 916 9888921
Contact: John@kiboworks.com

KiboWorks products are custom designed and manufactured to project order or tenders.

KiboWorks, TeamKibo,
KiboVision, KiboMenu,
The Translator
Are Trademarks of KiboWorks.



Innovative LED lighting solution for retail merchandising and displays.

Light|Peg

Mechanical

Housing	Aluminium
Connectors	2.5mm Jack & socket
Overall Dimensions	12.7mm (R) x 31.75mm (R)x 283mm (L)
LED Point Source	Nichia LED
Rated Life	50,000 Hours
Mounting	Flange & Socket

Electrical

Input Volatge Range	9Vdc
Power Consumption	1.35 Watts per Fixture

Colour Temperature (CCT)

Warm White	2700K
Natural White	4000K
Cool White	6500K

Colour Rendering Index (CRI)

Warm White	75
Natural White	82
Cool White	85+

Environmental

Operating Humidity	90% non-condensing
Operating Temperature	-20°C to +50°C
Warranty	3 Years Limited
Standards	CE, Class II
LED Chip manufacturer	Nichia

Dimming

LightPeg can be switched (turned on and off) and dimmed. Switching LightPeg is simple and straightforward with a standard wall switch. Dimming requires additional devices to be connected to Lightpeg directly or connected to the power supply.

DALI (Digital Addressible Light Interface)

DALI can be used to dim LightPeg from 100% to 1% using a variety of DALI master controllers.

Requires ECO-LOGIC Dali Slave driver, Order Code: ECL-DS912

DMX (Digital Multiplex) & DMX512

DMX can also be used to dim LightPeg Please call to discuss your DMX network requirement with LightPeg.

PWM (Pulse Width Modulation)

PWM is another method that can be used to dim the output of LightPeg and requires a PWM dimmable power supply. PWM based drivers can provide a very precise output level.

For other dimming requirements please discuss this with icreateLIGHT.



KiboWorks
Custom LED Technology

KiboWorks Custom LED Technology.
9580 Oak Avenue Parkway
Suite 7-211 | Folsom | CA 95630

Tel: (+1) 916 9888921
Contact: John@kiboworks.com
KiboWorks products are custom designed and manufactured to project order or tenders.

lightitude

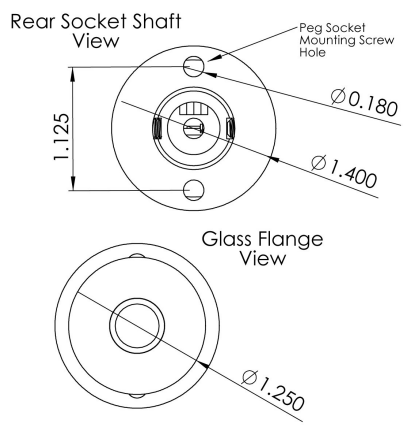
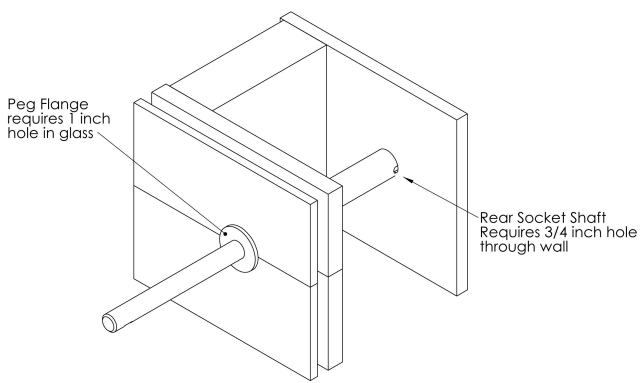
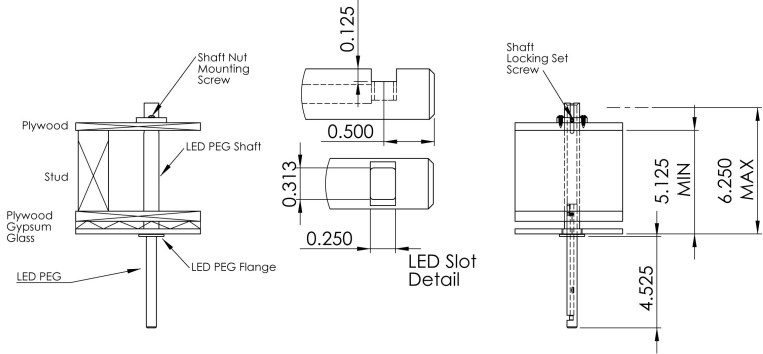
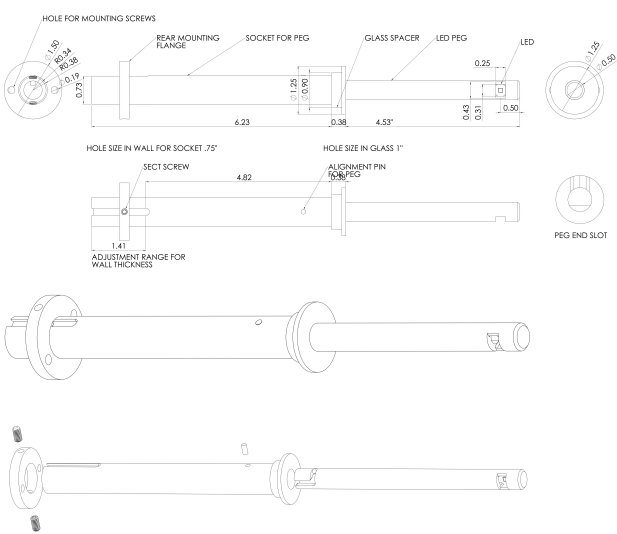
Jumeirah Lakes Towers Cluster Y
JBC3 Tower, Office nb 2803
Dubai|UAE|PO Box 30571
T (+971) 4 5588674|F (+971) 4 5588741
M (+971) 528731306
Skype: timothy.plumb1

KiboWorks, TeamKibo,
KiboVision, KiboMenu,
The Translator
Are Trademarks of KiboWorks.



Innovative LED lighting solution for retail merchandising and displays.

Light|Peg



KiboWorks Custom LED Technology.
 9580 Oak Avenue Parkway
 Suite 7-211 | Folsom | CA 95630
 Tel: (+1) 916 9888921
 Contact: John@kiboworks.com
 KiboWorks products are custom designed and manufactured to project order or tenders.

lightitude
 Jumeirah Lakes Towers Cluster Y
 JBC3 Tower, Office nb 2803
 Dubai | UAE | PO Box 30571
 T (+971) 4 55886741 F (+971) 4 5588741
 M (+971) 528731306
 Skype: timothy.plumb1

KiboWorks, TeamKibo, KiboVision, KiboMenu, The Translator Are Trademarks of KiboWorks.